

COMP. NOT INSTALLED BY OUTSIDE VENDOR

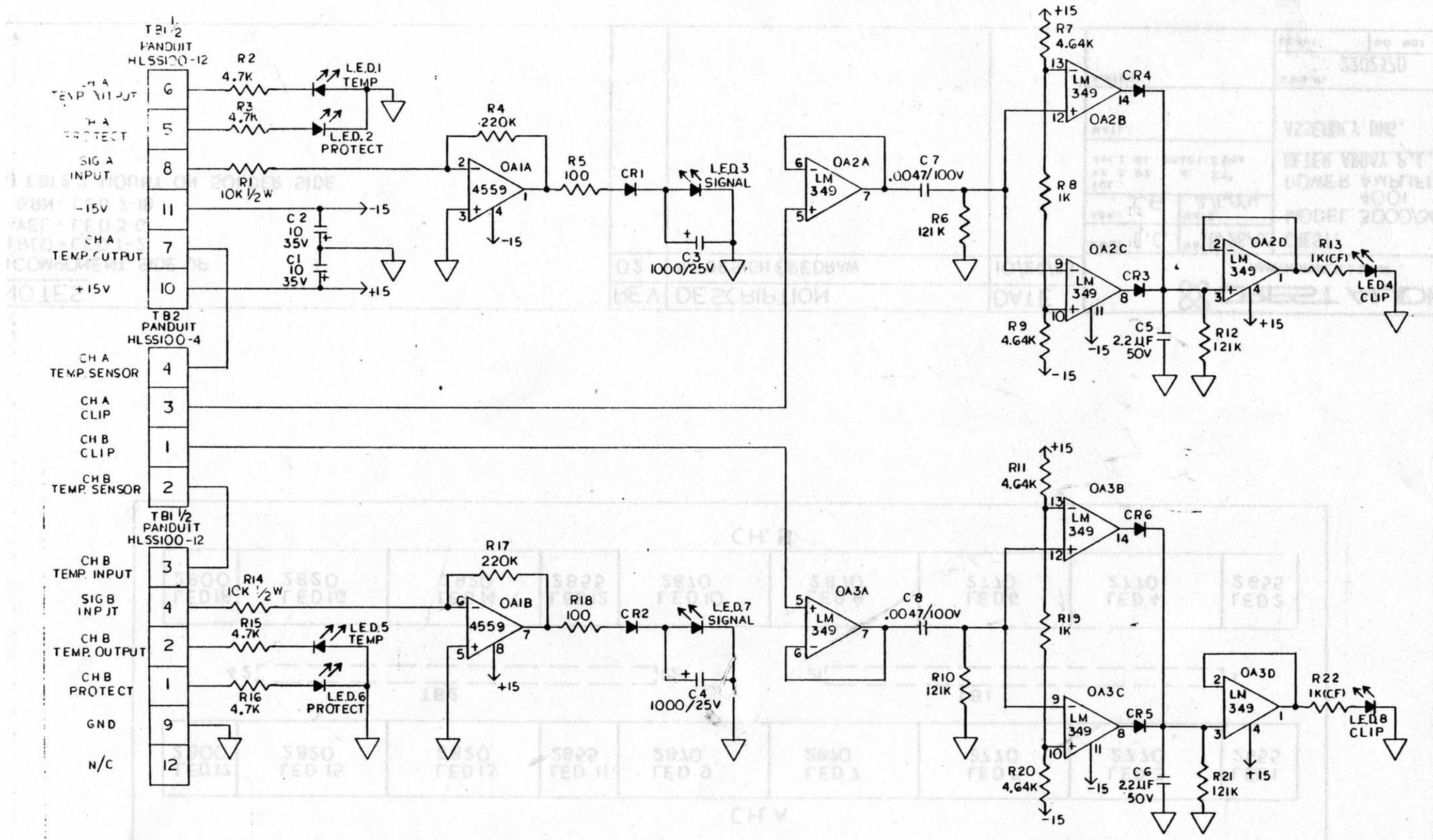
LAST REF. DES.	
USED	NOT USED
C6	
CB1	
CR2	
R1	
S1	
T1	
TB3	

NOTES	
1.	J = JUMPER
2.	FAN SENSOR LOCATED ON HEATSINK MODULE
3.	SEE INSET FOR 100V TBI/TI CONNECTIONS 110V AND 120V XFMR TAB A = 120V B = 110V
4.	UNUSED XFMR TAB PER WINDING GOES TO TBI PINS 1 & 5
5.	MODELS 3000/3001 C1,C2,C3,C4 15000 80V MODELS 4000/4001 C1,C2,C3,C4 20000 90V

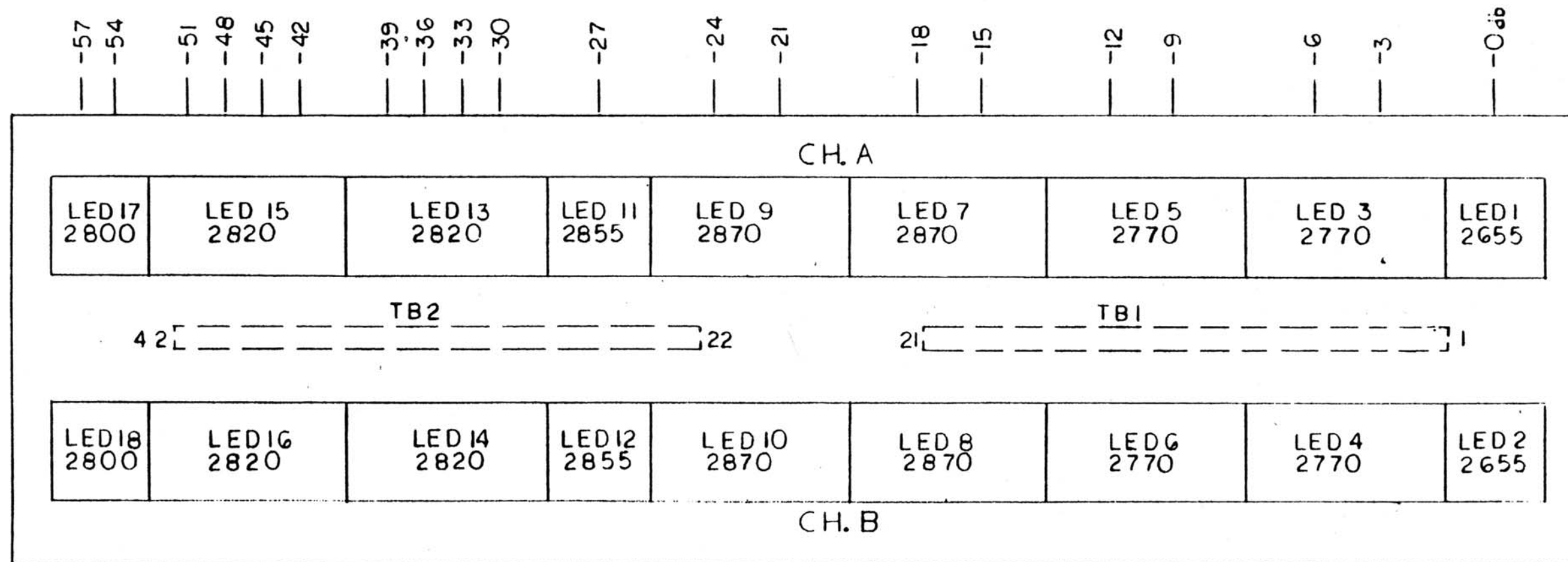
REV.	DESCRIPTION	DATE

CREST AUDIO	
HAWTHORNE, N.J. 07506	
DWN: E.H.	DATE: 9/24/85
APP: J.E.	DATE: 11/18/85
TOL: ±.02 < ±.1°	±.01 FRACT. 2/64
MATL:	
FINISH:	
DWG. NO. 2103796	REV.
SCALE —	DO NOT SCALE DRAWING

CREST  
MODELS 3000/3001/4000/4001  
SERIES POWER AMPLIFIERS  
VOLTAGE CONVERSION AND  
POWER SUPPLY  
100V - 120V  
SCHEMATIC DWG



COMP. NOT INSTALLED BY OUTSIDE VENDOR	LAST REF DES		NOTES	REV	DESCRIPTION	DATE	DALLAS MUSIC INDUSTRIES HAWTHORNE, N.J. 07508	
	USED	NOT USED					DWG.	DATE
			1) ALL RESISTORS 1/4W, UNLESS OTHERWISE SPECIFIED 2) ALL DIODES IN4148, UNLESS OTHERWISE SPECIFIED 3) ALL CAPACITOR ELECTROLYTIC, UNLESS OTHERWISE SPECIFIED 4) REV-1, 2, 3. SEE DWG#2104644 (OBSOLETE FILE)	04	REDESIGN P.C.B. & REDRAW DWG.	12/13/83	F.C.	12/13/83
				05	REVERSE POLARITY LED 2, 6. CHG R2, 3, 15, 16-820A 1/2W TO 4.7K, 1/4W	4/24/84	I.E.	12/15/83
								CREST. MODELS: 3001/4001 SERIES POWER AMPLIFIERS L.E.D. P.C.B. SCHEMATIC DWG. DWG No.: 2103644 SCALE: DO NOT SCALE DRAWING

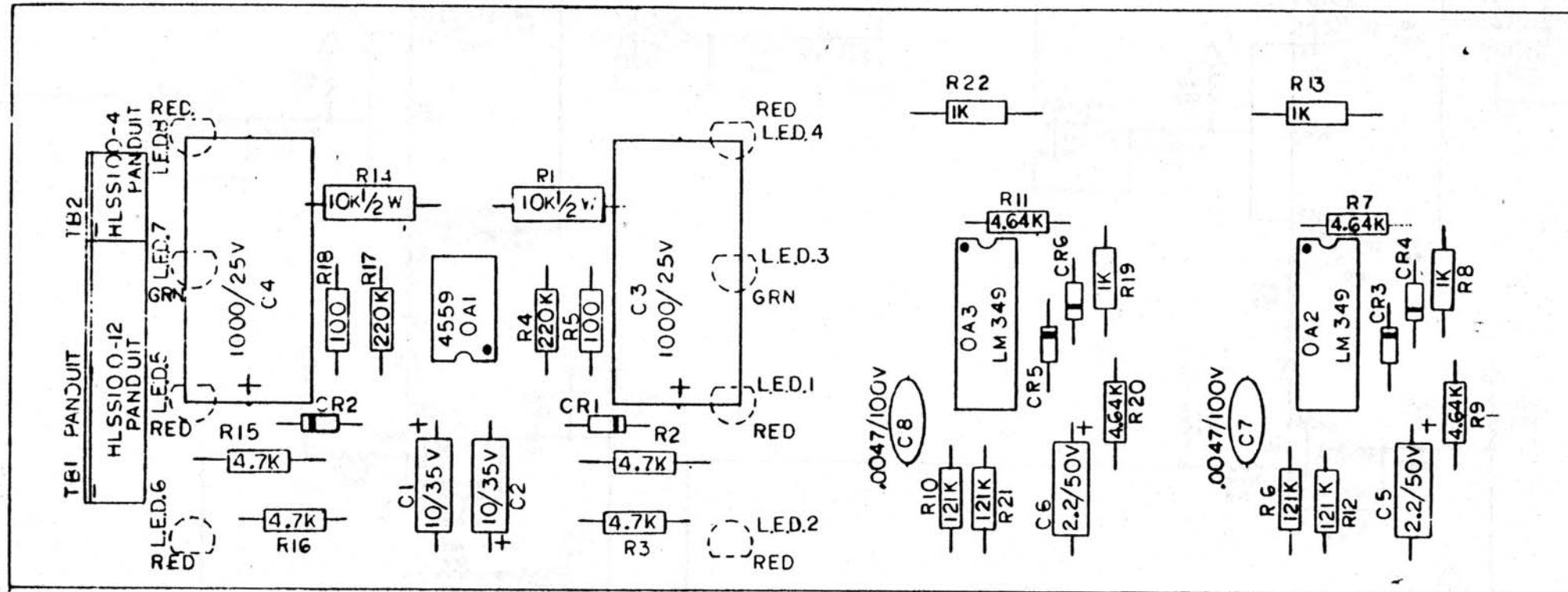


**NOTES**

- 1) COMPONENT SIDE UP
- 2) RED = LED 1-2  
YEL = LED 3-6  
GRN = LED 7-18
- 3) TBI & 2 MOUNT ON SOLDER SIDE

REV	DESCRIPTION	DATE
02	REDESIGN & REDRAW	10/26/83

<b>CREST AUDIO</b>	
HAWTHORNE, N.J. 07506	
DWN: E.C.	DATE: 10/26/83
APP: I.F.	DATE: 2/6/84
TOL: XX: ±.02    Z: ±1° XXX: ±.01    FRACT: ±1/64	
MATL:	
FINISH:	
CREST: MODEL 3000/3001/4000 4001 POWER AMPLIFIERS METER ARRAY P.C.B. ASSEMBLY DWG.	
DWG No.: 2202370	REV: 02
SCALE: DO NOT SCALE DRAWING	



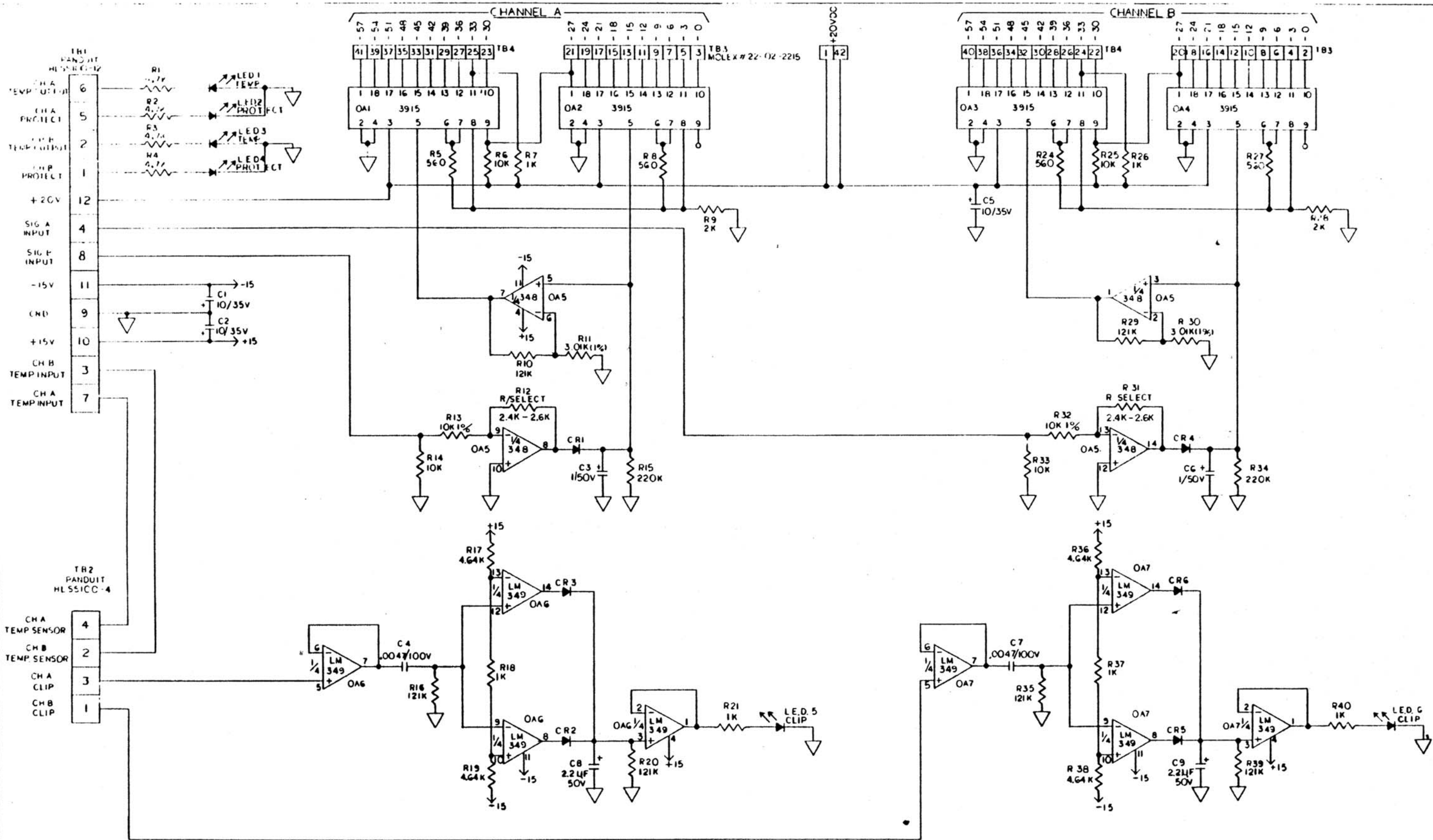
COMP. NOT INSTALLED BY  
OUTSIDE VENDOR

LAST REF DES	
USED	NOT USED
C8	
CR 6	CR3 CR5 <input checked="" type="checkbox"/>
LED 9	
OA 3	
R22	R6, 8, 9, 21, 22 <input checked="" type="checkbox"/>
T B2	

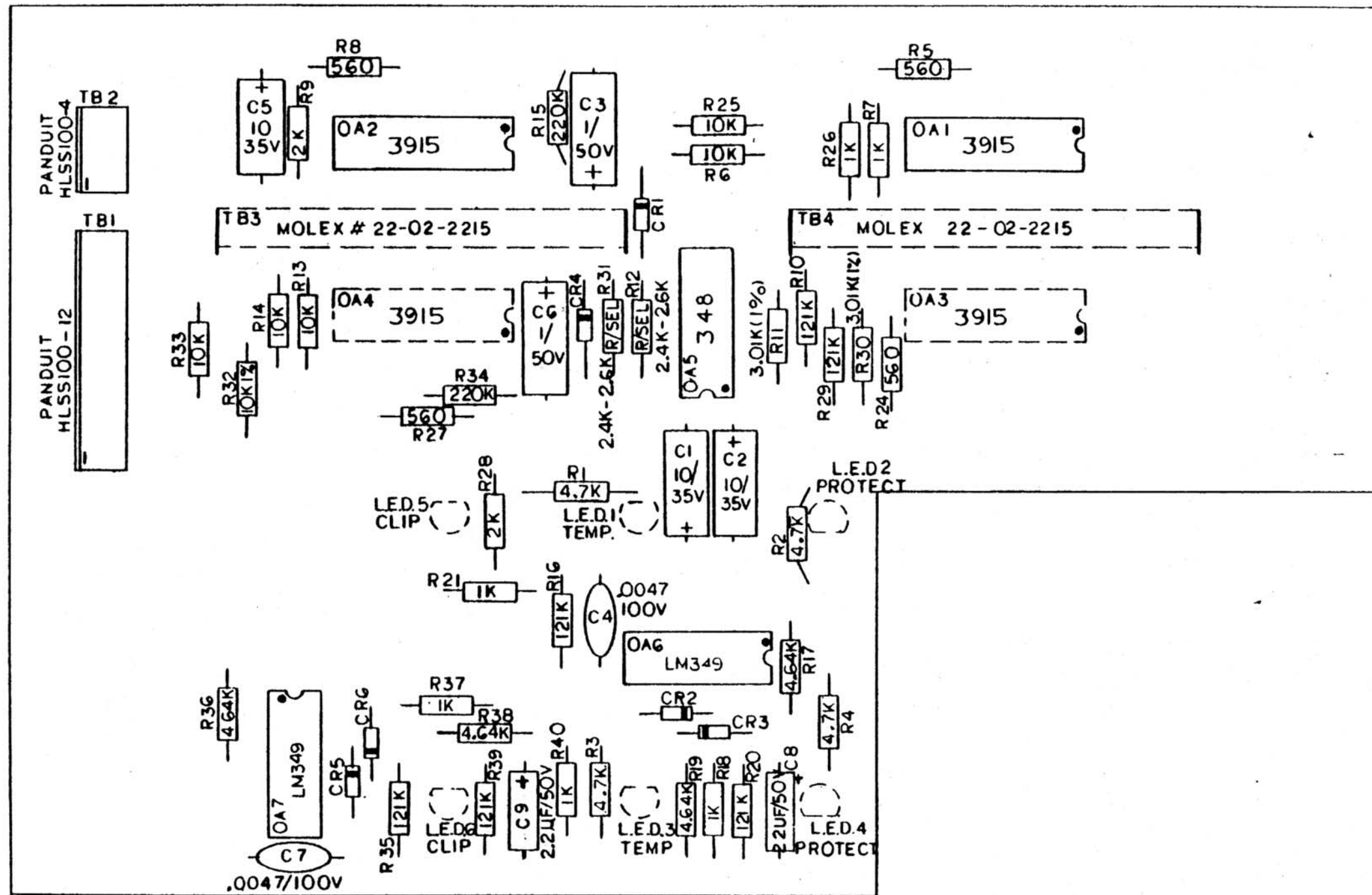
NOTES =  
 1) ALL RESISTORS 1/4W, UNLESS OTHERWISE SPECIFIED  
 2) ALL DIODES 4148, UNLESS OTHERWISE SPECIFIED  
 3) ALL CAPACITORS ELECTROLYTIC, UNLESS OTHERWISE SPECIFIED

REV	DESCRIPTION	DATE
01	R1-R14 FROM 1/4W TO 1/2W	10-26/83
02	SEE <del>NOT USED</del> . ADD C7, C8, R10, R23 FROM D.I.T. TO 300 R7 R20 FROM D.I.T. TO 121K	11/30/83
03	R1, R13, R14, R26 FROM 820 1/2W TO 1K 1W (C.F.) — R17, R4 FROM 242K TO 220K	12/6/83
04	REDESIGN P.C.B.	12/13/83
05	REVERSE POLARITY LED2, 6	4/24/84

DALLAS MUSIC INDUSTRIES HAWTHORNE, N.J. 07508			
OWN: E.C.	DATE: 7/29/83	CREST:	
APP: I.F.	DATE: 2/2/84	MODELS: 3001/4001 SERIES POWER AMPLIFIERS	
TOL: ±.02	±.1°	L.E.D. P.C.	
FR: ±.01	FRAC: ±1/64	ASSEMBLY	
MATL:		DWG N°	REV



COMP. NOT INSTALLED BY OUTSIDE VENDOR		LAST REF DES		NOTES:	REV	DESCRIPTION	DATE	DALLAS MUSIC INDUSTRIES MANTHOVEN, N.J. 07038	
USED	NOT USED	USED	NOT USED					E.C.	*REV/31/83
				1) ALL RESISTORS 1/4 W UNLESS OTHERWISE SPECIFIED	01	SEE NOT USED. ADD C8, C9. R35, R17 FROM D.I.T. TO 300	11/30/83		
				2) ALL DIODES IN 4148 UNLESS OTHERWISE SPECIFIED	02	R1, R2, R3, R4, R25, R42 FROM 820 1/2 W TO 1/4 W (C.F.)	12/6/83		MODELS: 4000/3000 SERIES POWER AMPLIFIERS
				3) ALL 10K RESISTOR 1% UNLESS OTHERWISE SPECIFIED	03	R22, R41 FROM 43K TO 121K	12/29/83		MAIN INTER P.C.B.
				4) REV 1, 2, SEE DWG. 2104645-02 (OBSOLETE FILE)	04	REDESIGN P.C.B.	4/24/84		SCHEMATIC DWG
						REVERSE POLARITY LED 2, 4 R, 2, 3, 4 - 1K TO 4.7K			
									SCALE: DO NOT SCALE DRAWING



COMP. NOT INSTALLED BY  
OUTSIDE VENDOR

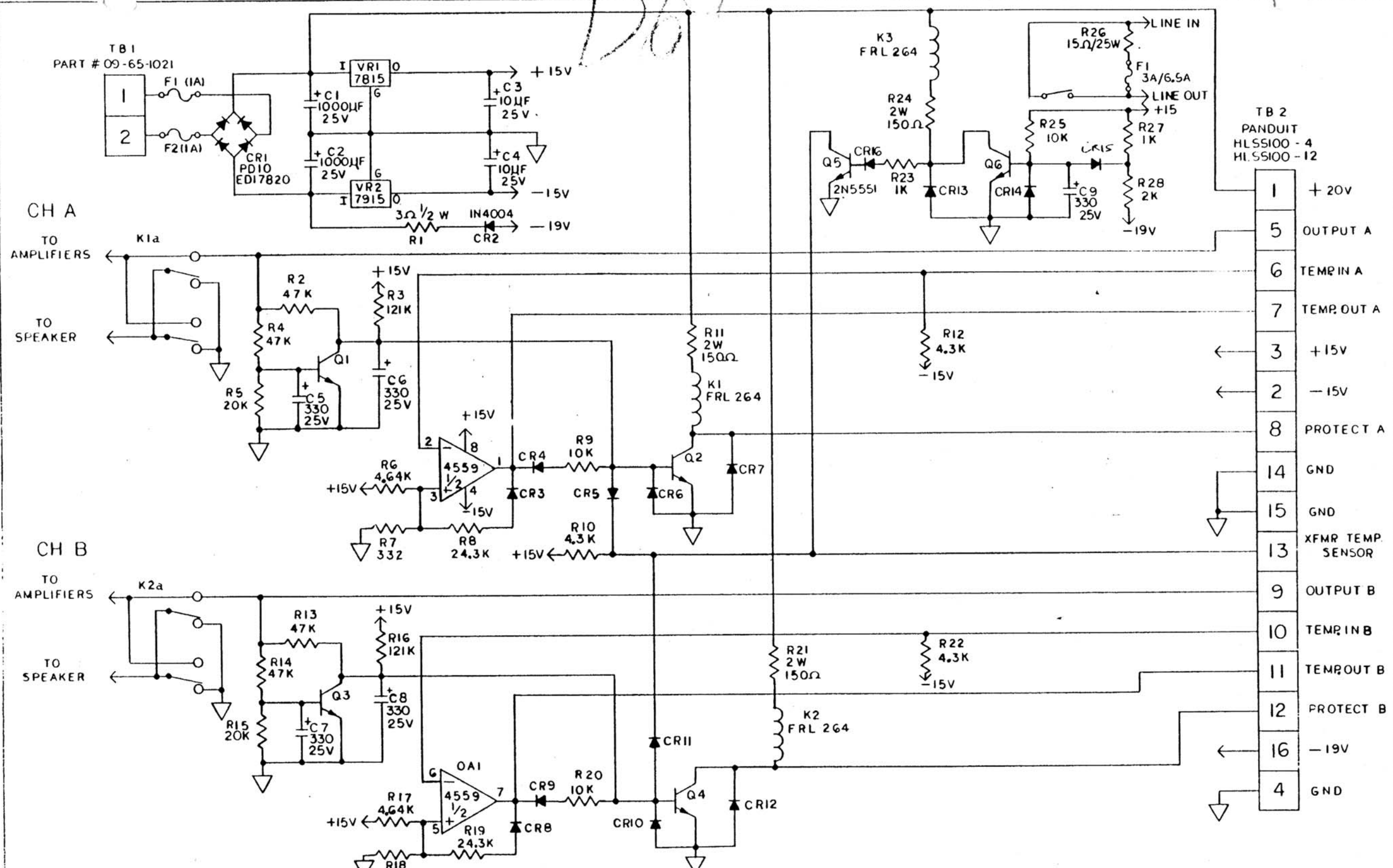
LAST REF DES	
USED	NOT USED
C9	
CR6	
OA7	
L.E.D.6	
R40	R22, R23
TB4	

NOTES

- 1) ALL RESISTORS  $\frac{1}{4}$  W UNLESS OTHERWISE SPECIFIED
- 2) ALL DIODES IN 4148 UNLESS OTHERWISE SPECIFIED
- 3) ALL 10K RESISTORS 1% UNLESS OTHERWISE SPECIFIED
- 4) REV 1, 2 SEE DWG 2204645-02 (OBSOLETE FILE)

REV	DESCRIPTION	DATE
03	REDESIGN P.C.B. & REDRAW DWG	12/28/83
04	REVERSE POLARITY LED 2, 4 R1, 2, 3, 4 - 1K TO 4.7K	4/24/84

DALLAS MUSIC INDUSTRIES HAWTHORNE, N.J. 07506			
DWN: E.C.	DATE: 12/28/83	CREST:	
APP: I.F.	DATE: 2/2/84	MODELS: 4000/3000 SERIES POWER AMPLIFIERS	
TOL: ± 0.02 < ± 1° ± 0.01 FRACT ± 1/64		MAIN METER P.C.B.	
MATERIAL:		ASSEMBLY	
FINISH	DWG NO: 2203645	REV 04	



COMP NOT INSTALLED BY  
OUTSIDE VENDOR

LAST REF. DES	
USED	NOT USED
C9	
CR16	
K3	
OA1	
Q6	
R28	
TB2	

NOTES

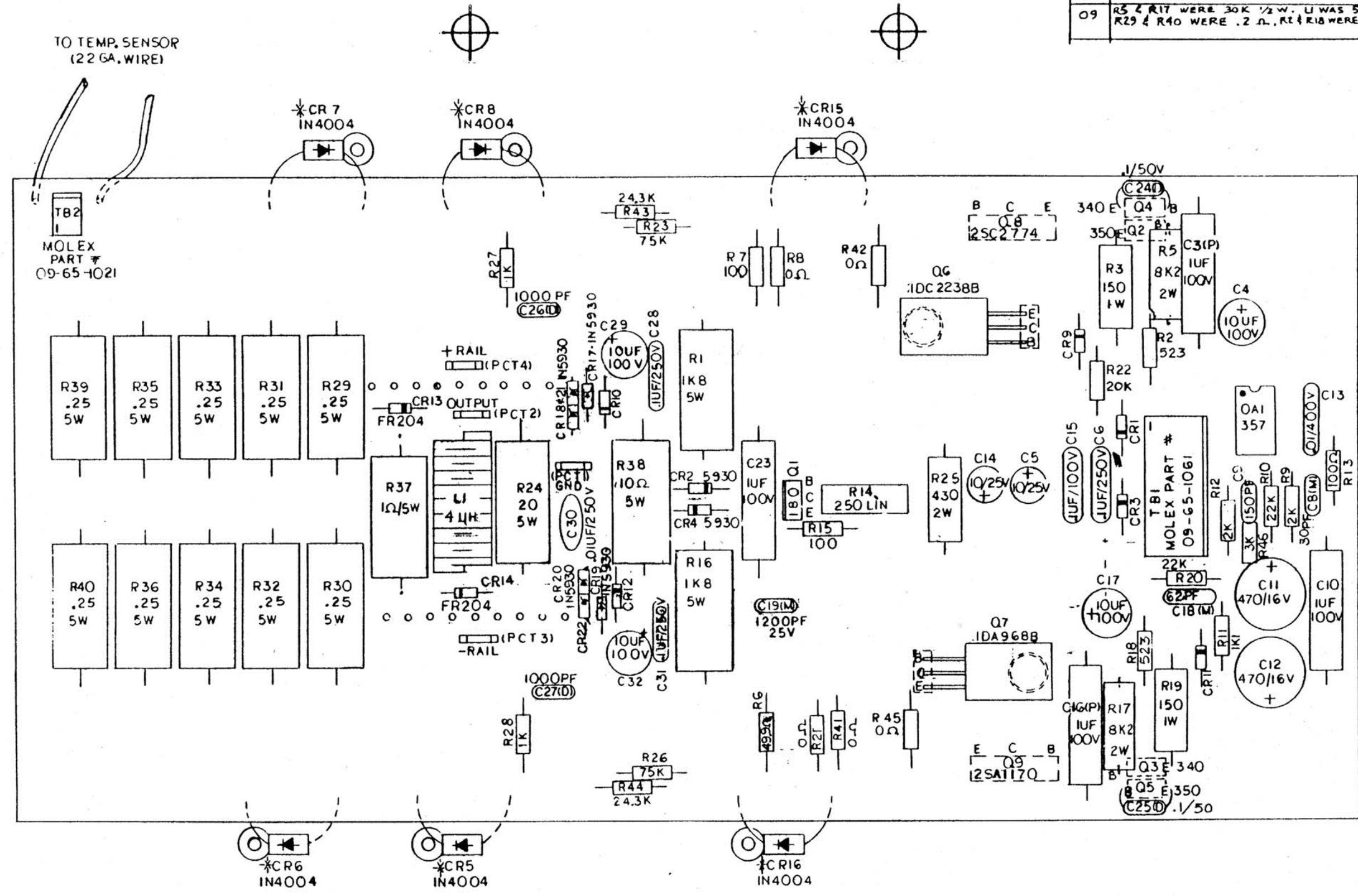
- 1) ALL RESISTOR 1/4 W, 1% UNLESS OTHERWISE SPECIFIED
- 2) ALL DIODES IN 4148 UNLESS OTHERWISE SPECIFIED
- 3) ALL TRANSISTORS MPSA13 UNLESS OTHERWISE SPECIFIED
- 4) REV-00, SEE DWG # 2104677-00(OBSOLETE FILE)

REV	DESCRIPTION	DATE
01	REDESIGN P.C.B.	3/13/84
02	CHANGE RB, R19 FROM 20K TO 24.3K	3/23/84

DALLAS MUSIC INDUSTRIES HAWTHORNE, N.J. 07508			
DWN:	E.C.	DATE:	3/13/84
APP:		DATE:	
TOL:	± 0.2	± 1°	
	± 0.1	FRACT 2/164	
MATL:			
FINISH:			
DWG N.:	2103677	REV:	02

CREST:  
MODELS 4000/4001/3000/3001  
POWER AMPLIFIERS  
RELAY/PROTECT P.C.B.  
SCHEMATIC DWG

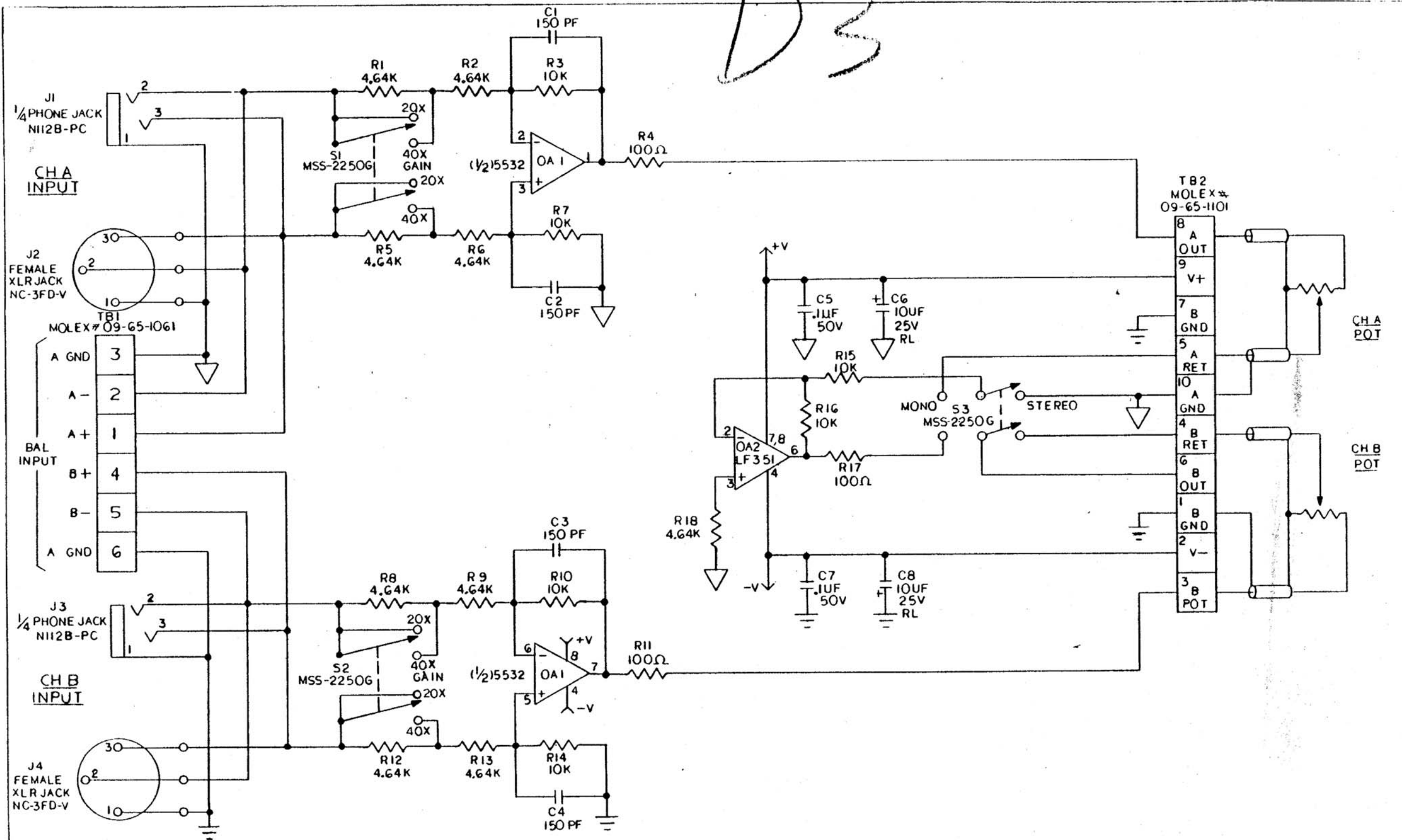
REV	DESCRIPTION	DATE
09	R5 & R17 WERE 30K 1/2 W. L1 WAS 5μH R29 & R40 WERE .2 Ω. R1 & R18 WERE 2K	12/1/85



COMP NOT INSTALLED BY OUTSIDE VENDOR	LAST REV DES		NOTES	REV	DESCRIPTION	DATE	DALLAS MUSIC INDUSTRIES HAWTHORNE, N.J. 07506	
	USED	NOT USED					DWN: E.C. 9/8/84	CREST
CR 5, 6, 7, 8, 15, 16 C 2, 3, 4, 5, 6, 7, 8, 9 TB 2	C 32	CI, 2, 20, 21, 22,	1) ALL RESISTORS 1/4 W, 1% UNLESS OTHERWISE SPECIFIED	06	REDESIGN P.C.B. & REDRAW DWG TO "C" SIZE	1/6/83	APP: I.F. DATE 6/2/84	MODELS: 3000/3001 SERIES POWER AMPLIFIERS
	CR 20		2) CAPACITORS = (D) DISC, (M) MICA, (P) POLY.	07	ADD RESISTORS # 42, 45 5Ω ADD RESISTORS # 43, 44 (24.3K) ADD DIODES # 17, 19 (1N5930) ADD DIODES # 18, 20 (1N1786) REMOVE CAP # 22 (1000 PF) (D) CHANGE R13 FROM 3KΩ TO 100Ω CHANGE R25 FROM 430Ω 2W TO 200Ω 2W CHANGE C8 FROM 30 PF TO 62PF CHANGE R27, 28 FROM 100 TO 1K CHANGE R23, 26 FROM 6K8 TO 75K	2/15/84	HEATSINK P.C.B.	
	L1		3) *-PARTS ON HEATSINK					ASSEMBLY DWG.
	Q1		4) ALL DIODES IN4148 UNLESS OTHERWISE SPECIFIED					
	Q19		5) REV 1, 2, 3, 4, 5, SEE DWG # 2104643-05 (OBSOLETE FILE)					
	R45		6) Q6 & Q7 ATTACH WITH PEM NUT # KFS2					
	TB3			OR	CB-30, CR18, 20-1N5930, R10-450, ADD CR21, 22, R44	4/25/84		

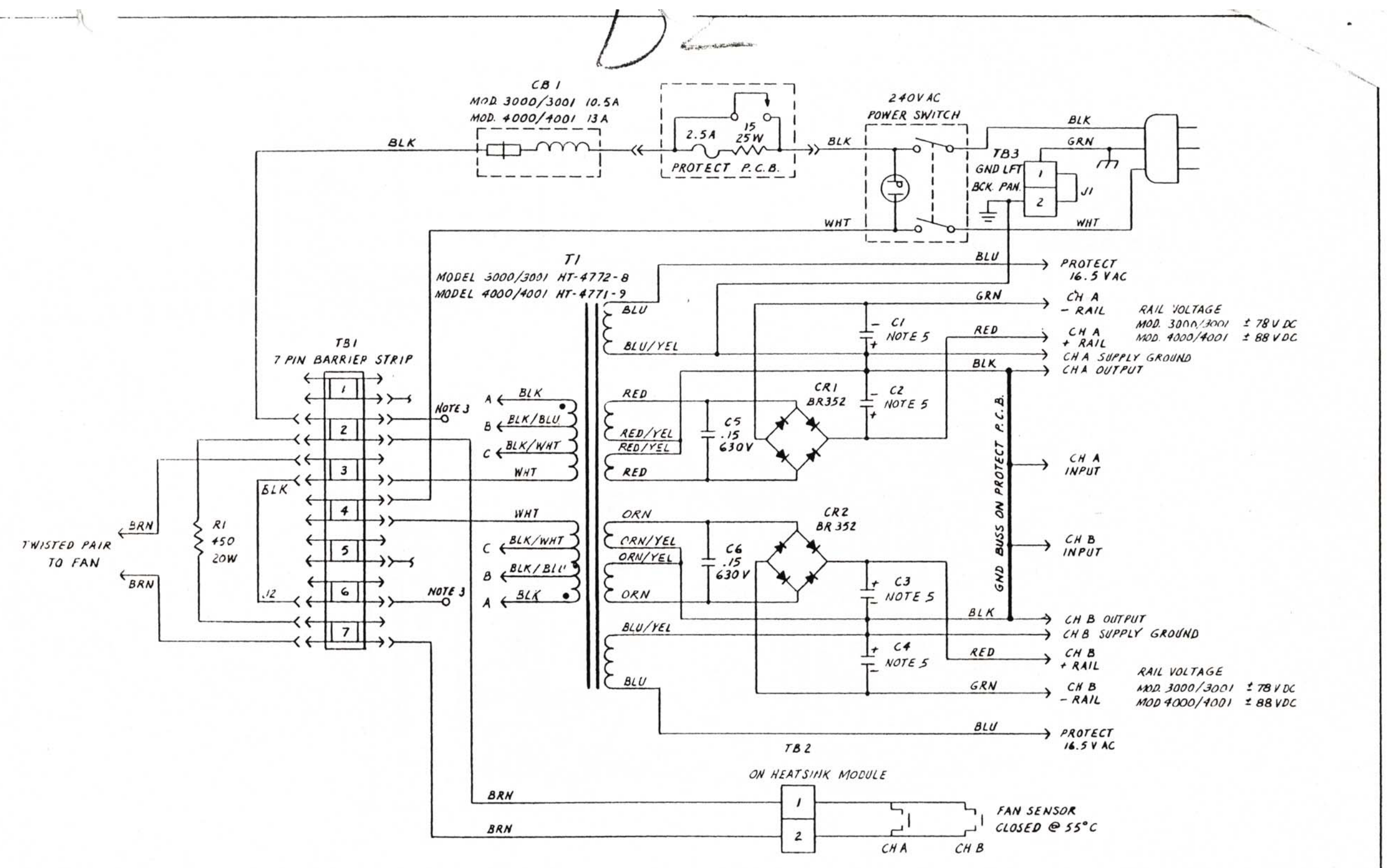
DWG NO: 22  
SCALE: 2:1  
NOT SCALE DRAWING





COMP NOT INSTALLED BY OUTSIDE VENDOR	LAST REF DES		NOTES	REV	DESCRIPTION	DATE	DALLAS MUSIC INDUSTRIES HAWTHORNE, N.J. 07508	
	USED	NOT USED					DWN E.C.	DATE
J2, J4 S1, S2, S3	C8		ALL RESISTOR 1/4W AND 1% UNLESS OTHERWISE SPECIFIED	01	REDESIGN & REDRAW	11/17/83	APP. I.J.F.	DATE 1/5/84
	J4						TOL. ± 0.2% < ± 1% ± 0.1% FRACT ± 1/64	CREST
	OA2						MATL	MODELS: 3000/3001/4000/4001 POWER AMPLIFIERS
	R18						FINISH	INPUT P.C.B.
	S3							SCHEMATIC DWG
	TB2							DWG NO. 2103641
							SCALE DO NOT SCALE DRAWING	





COMP. NOT INSTALLED BY OUTSIDE VENDOR	LAST REF DES.		NOTES	REV	DESCRIPTION	DATE
	USED	NOT USED				
	C6		1. J = JUMPER 2. FAN SENSOR LOCATED ON HEATSINK MODULE 3. XFMR TAB A = 240V B = 220V C = 200V 4. UNUSED XFMR TAB PER WINDING GOES TO TB1 PINS 1 & 5 5. MODELS 3000/3001 C1,C2,C3,C4 15000 80V MODELS 4000/4001 C1,C2,C3,C4 20000 90V			
	CB1					
	CR2					
	R1					
	S1					
	T1					
	TB3					

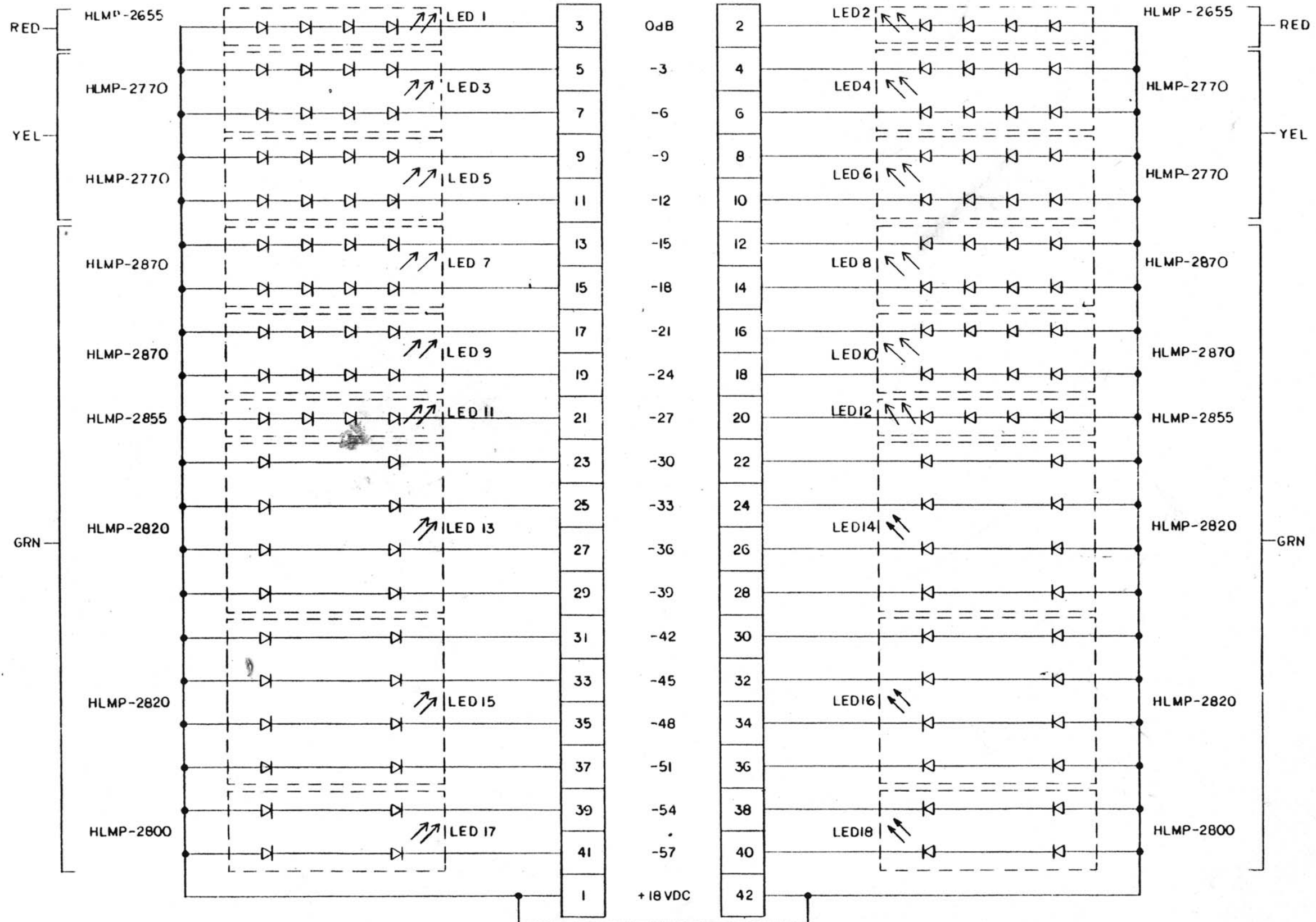
**CREST AUDIO**  
HAWTHORNE N.J. 07506

OWN: E.N. DATE: 9/23/85  
 APP: I.F. DATE: 10/18/85  
 TOL: ±.02 < 2°  
 ±.01 FRACT 2/64

CREST  
 MODELS 3000/3001/4000/4001  
 SERIES POWER AMPLIFIERS  
 VOLTAGE CONVERSION AND  
 POWER SUPPLY  
 200V - 240V  
 SCHEMATIC DWG

FINISH:      DWG NO: 2103797      REV:

CH A



NOTES:

- 1) TB1 TERMINALS 1-21 & TB2 TERMINALS 22-42.

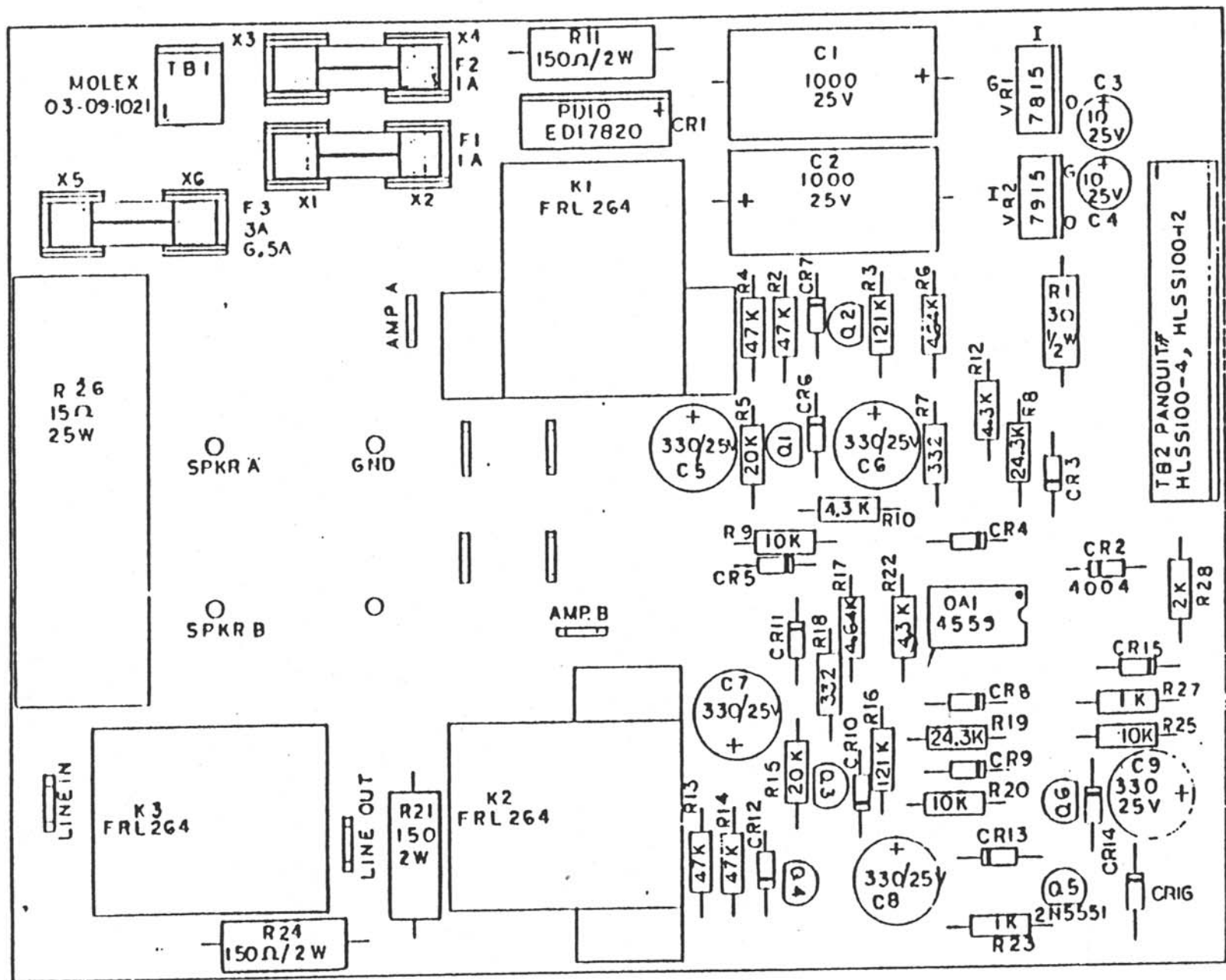
REV	DESCRIPTION	DATE
01	REDESIGN P.C.B.	2/8/82
02	REDESIGN P.C.B.	2/6/84



DWN	E.C.	DATE: 2/6/84	CREST MODEL 3000/300/4000/ 4001 POWER AMPLIFIERS METER ARRAY P.C.B. SCHEMATIC DWG.
APP	I.F.	DATE: 2/6/84	
TOL: XX ± .02 < ± 1° XXX ± .01 FRACT ± 1/64			DWG No. 2103379
MATERIALS:			
FINISH:			REV: 02
SCALE:			DO NOT SCALE DRAWING







TB2 PANQUIT# HLSS100-4, HLSS100-12

COMP NOT INSTALLED BY OUTSIDE VENDOR

LAST REF	DES.	NOT USED
USED		
C 9		
CRIG		
K 3		
OAI		
Q 6		
R 28		

**NOTES**

- 1) ALL RESISTORS 1/4W, 1% UNLESS OTHERWISE SPECIFIED
- 2) ALL DIODES IN4148 UNLESS OTHERWISE SPECIFIED
- 3) ALL TRANSISTORS MPSA13 UNLESS OTHERWISE SPECIFIED
- 4) X1-X6 KEYSTONE # 3529

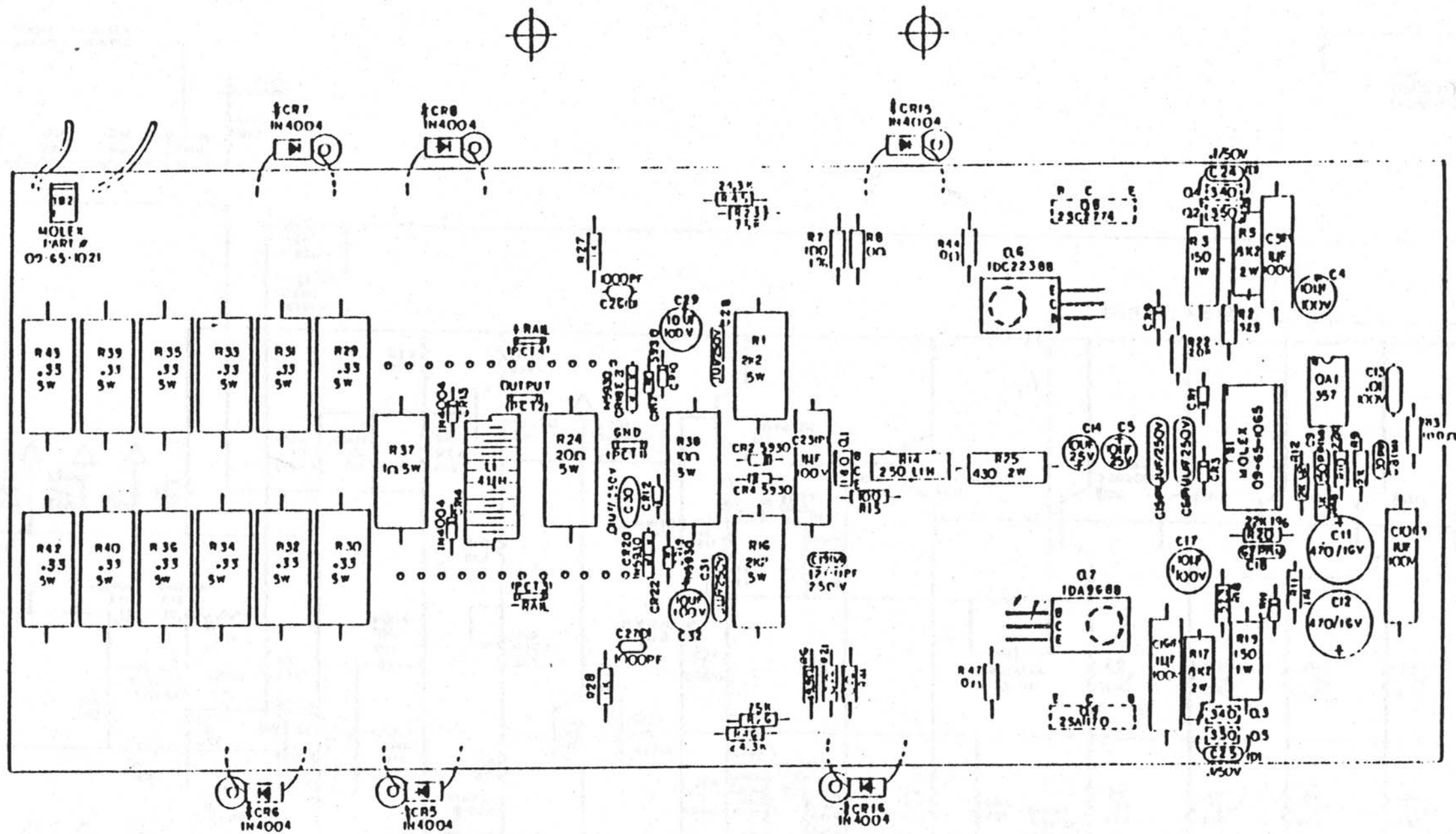
REV	DESCRIPTION	DATE
01	REDESIGN P.C.B.	3/13/84
02	CHANGE R8, R19 FROM 20K TO 24.3K	3/23/84
03	R25 FROM 75K TO 24.3K TO 10K	5/31/84

**DALLAS MUSIC INDUSTRIES**  
HAWTHORNE, N.J. 07308

OWN: E.C. DATE: 3/13/84  
 APP: I.F. DATE: 6/22/84  
 TOL: ± .05 < .25°  
 \*\*\* 2 01 PRACT 2/04

CREST:  
 MODELS: 4000/1001/3000/3001  
 POWER AMPLIFIERS  
 RELAY /PROJECT P.C.B.  
 ASSY DIG

DWG N: 2203677



REV	DESCRIPTION	DATE	COMP. NOT INSTALLED BY
09	R7 & R17 WERE .30K 1/4W LI WAS 5.1K R19 - R42 WERE .25A, RE & R18 WERE 2W	12/1/83	OUTSIDE VENDOR

LAST REF DES.	NOTES
USED	ALL RESISTORS 1/2W 1% UNLESS OTHERWISE SPECIFIED
NOT USED	2 CAPACITORS: 10 DISC, 10 MIC, 10 POLY
	3 1/2 PARTS ON HEAT SINK
	ALL NODES W/1414R UNLESS OTHERWISE SPECIFIED
	SI REV. 1, 2, 3, 4, 5 SEE DWG # 2104647-05
	IC OBSOLETE FILE
	GI GGG CQY ATTACH WITH PEM NLT #FS2-632

REV	DESCRIPTION	DATE
06	REDESIGN P.C.B.	1/17/84
07	ADD RESISTOR R44 27K 1/4W ADD RESISTOR R45 4K 1/4W ADD DIODES R17, R19, R15, R30 ADD DIODES R12, R11, R16 REMOVE CAP. C22 1000P CHANGE R15 FROM 300K TO 100K CHANGE R25 FROM 450K TO 2W TO 200K 2W CHANGE C1 FROM 50PF TO 62PF CHANGE R27, R28 FROM 10K TO 100K CHANGE R23 TO 200K FROM 100K	2/7/84
08	R8 TO 30K 1/4W TO 2W 1% R25 TO 450K 2W TO 2W 1% R22 TO 100K 1/4W TO 2W 1%	2/7/84

REV	DESCRIPTION	DATE
06	REDESIGN P.C.B.	1/17/84
07	ADD RESISTOR R44 27K 1/4W ADD RESISTOR R45 4K 1/4W ADD DIODES R17, R19, R15, R30 ADD DIODES R12, R11, R16 REMOVE CAP. C22 1000P CHANGE R15 FROM 300K TO 100K CHANGE R25 FROM 450K TO 2W TO 200K 2W CHANGE C1 FROM 50PF TO 62PF CHANGE R27, R28 FROM 10K TO 100K CHANGE R23 TO 200K FROM 100K	2/7/84
08	R8 TO 30K 1/4W TO 2W 1% R25 TO 450K 2W TO 2W 1% R22 TO 100K 1/4W TO 2W 1%	2/7/84

REV	DESCRIPTION	DATE
06	REDESIGN P.C.B.	1/17/84
07	ADD RESISTOR R44 27K 1/4W ADD RESISTOR R45 4K 1/4W ADD DIODES R17, R19, R15, R30 ADD DIODES R12, R11, R16 REMOVE CAP. C22 1000P CHANGE R15 FROM 300K TO 100K CHANGE R25 FROM 450K TO 2W TO 200K 2W CHANGE C1 FROM 50PF TO 62PF CHANGE R27, R28 FROM 10K TO 100K CHANGE R23 TO 200K FROM 100K	2/7/84
08	R8 TO 30K 1/4W TO 2W 1% R25 TO 450K 2W TO 2W 1% R22 TO 100K 1/4W TO 2W 1%	2/7/84

DALLAS MUSIC INDUSTRIES			
MULTIMEDIA # 1 0988			
DESIGNED BY	DATE	REV	09
CREATED BY	DATE	REV	09
MODELS: 1000/1001/1002/1003			
HEAT SINK P.C.B.			
ASSEMBLY DWG.			
SCALE: 1:1			